

Vector 3500 Parts

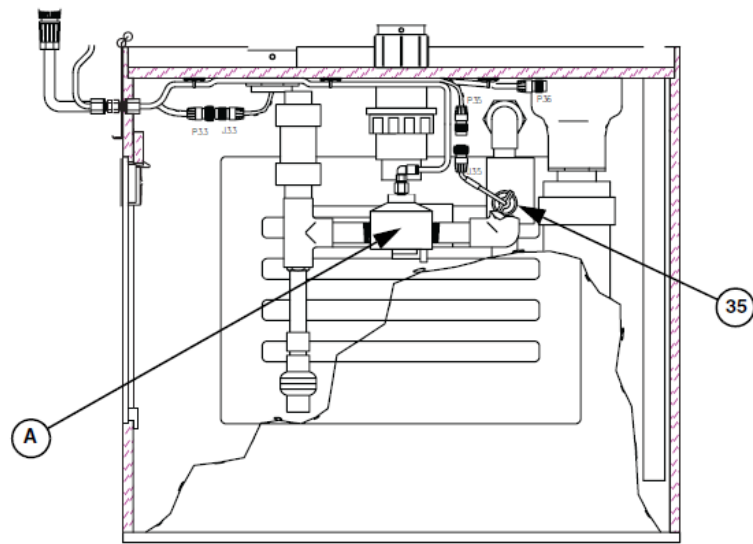
Table E-2. Spare Parts Kit Inventory (155-13234-00, Rev. C)

Item	Description	Quantity	Part Number
1	Kit, Anti-hammer Drain Line	1	165-13252-00
2	Thermostat, Universal, SPST, 120V 95/65	1	0692-03
3	Switch, Sump Level	1	483-14364-00
4	Sensor, Level Switch, Float, Vector High High	1	575-00014-00
5	Assembly, Solenoid, 24 Vdc, w/Diode	1	215-17950-00
6	Valve, N.C., Air-Operated, H2O Shutoff	1	215-08-004
7	Valve, 3-Way, Air-Operated, 1/4", 40-80 PSIG Activation	1	492-12696-00
8	Solenoid, 4-Way, 24 Vdc, 2-Position, Single Solenoid	1	580-13015-00
9	Spray Hub Assembly, Defoaming, ES-50	1	5297-01
10	Flowmeter, Water, Valved, Panel Mount, 5 GPM, 3" Mounting	1	0509-15
11	Assembly, Switch, Pressure	1	6570-00
12	Kit, Vector, Fresh Water Flow Switch	1	170-17335-00
13	Relay, PCB, DPDT, 24Vdc, 5A	1	4164-00
14	LED, Indicator W/Diode, 12 - 24 Vdc	1	4165-00
15	Kit, PM Parts, Vector 3500	1	160-13235-00
16	Assembly, Solenoid, 3/32 Orifice, 2-Way, N.O.	1	215-17928-00
17	Heater, Entry, KF40, 150 Deg C, 208 Vac, W/LTA	1	533-13602-01
18	Flowmeter, Visi-Float, Dwyer, 8 - 40 GPH, SS	1	438-11741-00
19	Fuse, Fast-Acting, 400 mA, GDA, 5 x 20 mm, 250 V *	2	525-12814-10
20	Fuse, Fast-Acting, 800 mA, GDA, 5 x 20 mm, 250 V *	2	525-12814-13
21	Fuse, Fast-Acting, 1.25 A, GDA, 5 x 20 mm, 250 V *	2	525-12814-15
22	Fuse, Fast-Acting, 1.6 A, GDA, 5 x 20 mm, 250 V *	2	525-12814-16
23	Fuse, Fast-Acting, 2.5 A, GDA, 5 x 20 mm, 250 V *	2	525-12814-18
24	Fuse, Fast-Acting, 3.15 A, GDA, 5 x 20 mm, 250 V *	2	525-12814-19
25	Insulator, Heater Blanket, KF40 Flange	1	6789-00
26	Assembly, H2O Valve, Waterwash	1	215-13113-01
27	Assembly, H2O Valve, Waterwash, Multiple Entry	1	215-13113-02
28	Valve, Air-Operated, N.C., 1/4"	1	215-04-001
29	Heater, Entry, KF40, 150 Deg C, 120 Vac, W/LTA	1	533-13602-03
30	Kit, Pump Replacement, Sta-Rite	1	165-17746-00
The following items are not part of spare parts kit 55-13234-00 but it is recommended to keep in stock:			
	Light Tower Assembly	1	6552-00
	Liquid Level Switch	1	6566-00

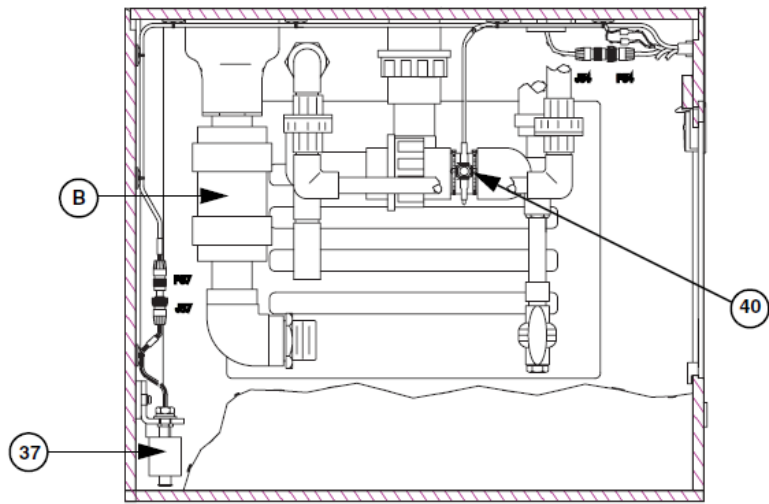
*See drawing notes 9 and 10 on schematic 020-17383-00 to determine proper fuses for system configuration.

Table E-3. PM Parts Kit (160-13235-00, Rev. A)

Item	Description	Quantity	Part Number
1	Kit, Viton Pump Seal	1	6427-00
2	Tape, Pipe Joint, Teflon	1	0080-01
3	Gasket, Neoprene, 1.0" ID, 2.75" OD, 1/16" Thick	1	5409-01
4	Orifice, PVC, Anti-Foam, 5/8" ID	1	5408-01
5	Orifice, Entry Water	4	1566-01
6	Cartridge Assy, Polishing, Scrubber,	1	6733-00
7	Nozzles, Spray, 3/8" MNPT, 6 GPM, 40 PSI, PVC	8	5421-04
8	O-Ring, Viton, 2 1/4" OD X 2" ID	2	464-11143-00
9	Screw, Thumb, Nylon, 1/4-20	12	6696-07



Right Side View



Left Side View

Figure E-1. Vector 3500 Top Assembly - Left Side and Right Side View (200-13345-00, Rev. J)

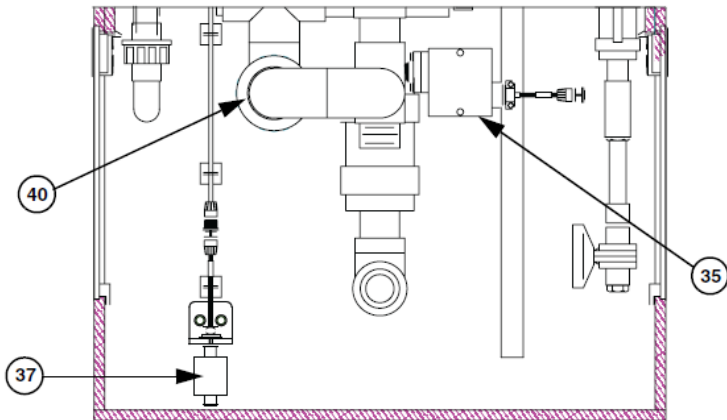


Figure E-2. Vector 3500 Top Assembly - Front View (200-13345-00, Rev. J)

Table E-4. Vector 3500 Top Assembly (200-13345-00, Rev. J)

Item	Description	Quantity	Part Number
35	Switch Assembly, Pressure	1	6570-00
37	Switch Assembly, Liquid Level, Pump Cavity	1	6566-00
40	Thermostat, Universal, SPST, 120V 95/65	1	0692-03
47	Sealant, Silicone, 1pt RTV, Black, 3.0 Fluid Oz Tube	0.01	3498-01
A	Kit, Anti-Hammer Drain Line	1	165-13252-00
B	Valve, Ball, True U, PVC/EPDM, 1-1/2 SOC/THD	1	0072-07

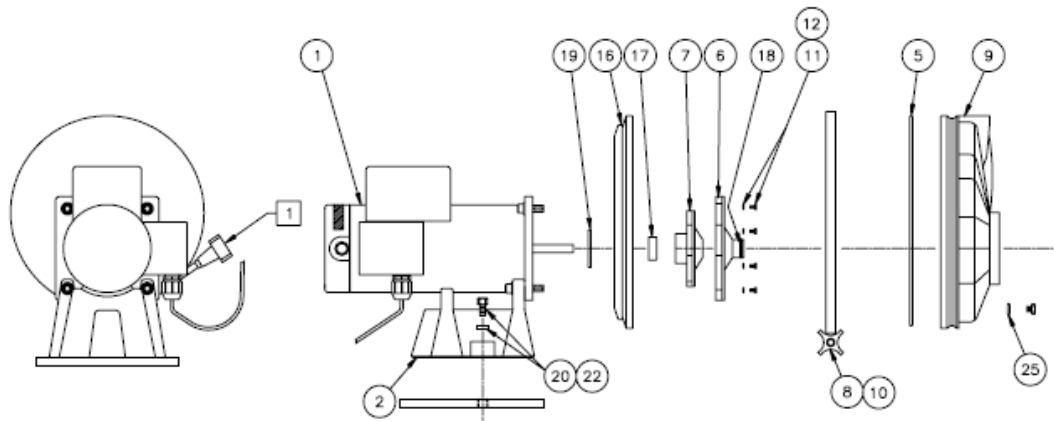


Figure E-3. Pump Motor Assembly (6474-00, Rev. D)

Table E-5. Pump Motor Assembly (6474-00, Rev. D)

Item	Description	Quantity	Part Number
1	Motor, 1.5HP, 3-Phase	1	6718-00
2	Motor Base,PE Series Pump, Open Drip	1	0339-02
5	O-Ring, Viton, 1/4" Wide x 10.0 ID, Seal Plate	1	0355-02
6	Diffuser, Pump, 3/4-2 HP	1	0529-04
7	Impeller, 4" Diameter, 1.0 HP, Molded w/o Hole	1	0528-05
8	Clamp, Pump Motor, SST, Nut	1	0319-00
9	Pump, Tank Body, Plug, 1.5 HP	1	0320-00
10	Knob, V-Clamp	1	0457-00
11	Screw, Machine, Slotted, Round Head, SST, 8-32 X .875	5	0328-11
12	Washer, Lock, Ext Star,SS,#8	5	0329-04
15	Washer, Flat, SST, #3/8, 1.00 OD, .083 Thick	2	0593-16
16	Seal Plate Kit, Sta-Rite Pump Motor w/o Heat Sink	1	6460-00
17	Seal, Viton, 5/8" Shaft, Pump Seal Plate	1	1964-01
18	O-Ring, Viton, Diffuser, PE Series Pumps	1	2719-01
19	Water Slinger, Viton, PE Series Pump	1	2720-01
22	Bolt, Hex Head, SST, 3/8-16 x 1.50 Long	2	0085-04
25	O-Ring, 0.5" Viton #206	1	511-08-002

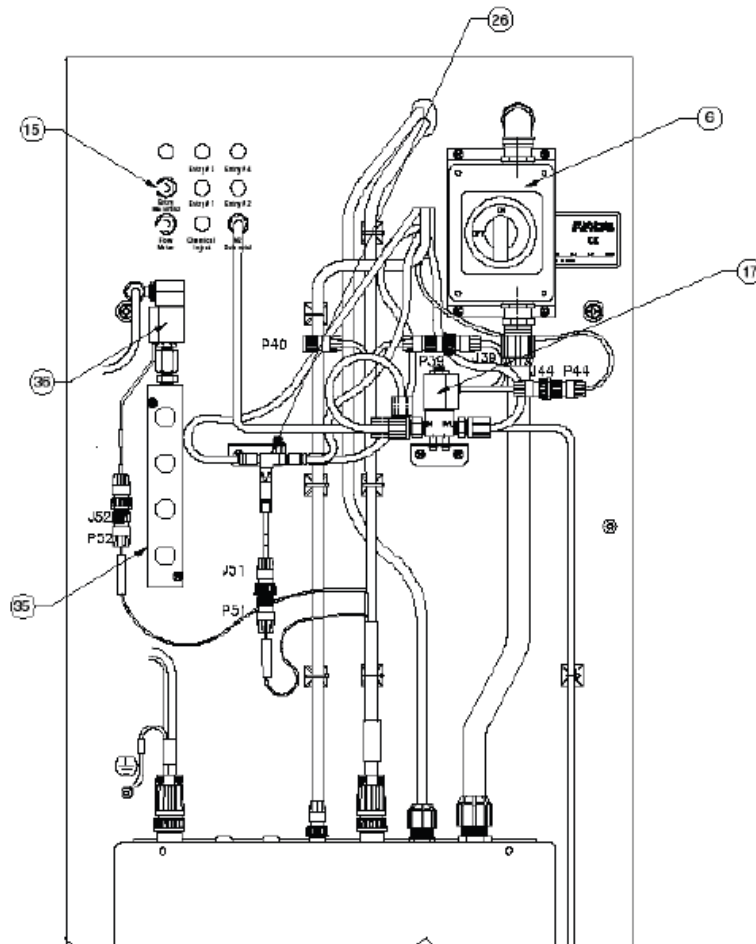


Figure E-4. Rear Panel Assembly (215-13364-00, Rev. D)

Table E-6. Rear Panel Assembly (215-13364-00, Rev. D)

Item	Description	Quantity	Part Number
6	Switch, Enclosed Disconnect, ON-OFF	1	5428-00
15	Union, Bulkhead, PP, 1/4" OD Tube	4	6561-00
17	Assembly, Solenoid, 24 Vdc w. Diode, 1/4" NPT, 1/16" Orifice	2	215-17950-00
26	Assembly, Solenoid, Auto Waterwash w/Swivel Connector	1	215-13104-00
35	Manifold Assembly, N2, Photohelics	1	6184-00
36	Solenoid Assembly, 3/32 Orifice, 2-Way, N.O.	1	215-17928-00

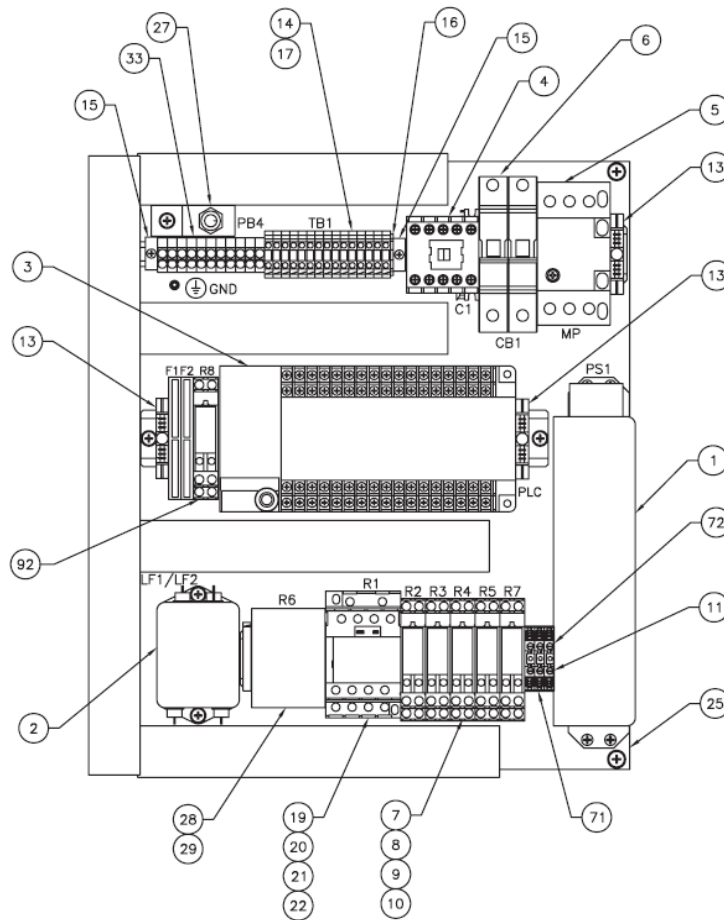


Figure E-5. Control Box Assembly (215-13238-XX, Rev. B)

Table E-7. Control Box Assembly (215-13238-XX, Rev. B)

Item	Description	Quantity	Part Number
1	Power Supply, 85-264Vac In, 24Vdc Out, 100W, CE	1	529-13663-00
2	Filter, Line, 6A, 120/250Vac	1	3872-00
3	PLC, 24 I/O, 24 Vdc	1	6308-01
4	Contactor, Motor Protector, Size A, 3-Pole, 7 Amps, 380/415 Vac, 50 Hz Coil	1	6470-03
5A	Motor Protector, Adjustable, Manual Start, 4.00-6.30 Amps	1	0127-09
5B	Motor Protector, Adjustable, Manual Start, 2.50-4.0 Amps	1	0127-08
5C	Motor Protector, Adjustable, Manual Start, 2.50-4.0 Amps	1	0127-08
6A	Circuit Breaker, Mini, 1-Pole, 4 Amps, 208-230 Vac	1	6468-04
6B	Circuit Breaker, Mini, 1-Pole, 4 Amps, 380 Vac	1	7093-06
6C	Circuit Breaker, Mini, 1-Pole, 4 Amps, 460 Vac	1	0877-06
7	Relay, PCB, DPDT, 24Vdc, 5A	5	4164-00
8	Socket, Relay, PCB	5	4163-00
9	Retaining Clip, Metal, Socket 95.83.1/95.85.1	5	6465-01
10	LED, Indicator w/Diode, 12-24Vdc	5	4165-00
14	Terminal Block, MBK2, 5/E	17	4166-00
17	Terminal Block, Bridge Bar, 10-Position	11	4170-00
19	Relay, 4PDT, 12A, 24Vdc	1	6467-00
20	Socket, DIN Rail Snap-on, Relay 56.34	1	6466-00
21	Retaining Clip, Metal, Socket 96.74	1	6465-00
22	Indicator, LED/Diode, Relay Socket, Plug-in	1	0886-01
27	Switch, Pushbutton, Momentary, N.O., w/Screw Terminal	1	6918-00
28	Socket, Relay, 8-Pin, DIN Rail, 600V, Fingersafe	1	7078-00
29	Relay, Reverse Phase, 190-480Vac, SPDT	1	7077-00
33	Terminal Block, Ground, 15mm, WOERTZ 2721	11	4404-01
71	Terminal Block, 10-22 AWG, 600V, 30A, 35 mm, DIN	2	6917-00
72	Ground Block, Din Rail Mount, 10AWG	1	3862-00
91	Fan, 24 Vdc, 17 CFM, Brushless, 2.36" x 2.36" x 0.5"	1	152-24-002
92	Relay, 24 Vac/Vdc, SPDT, DIN Rail Mount	2	134-24-002

Note: 215-13238-00 = 200/230 Vac Input; 215-13238-01 = 380 Vac Input; 215-13238-02 = 460 Vac Input.

All listed components are the same for each configuration except items 5 and 6. On items 5 and 6, components labelled A are for 215-13238-00; components labelled B are for 215-13238-01; components labelled C are for 215-13238-02.

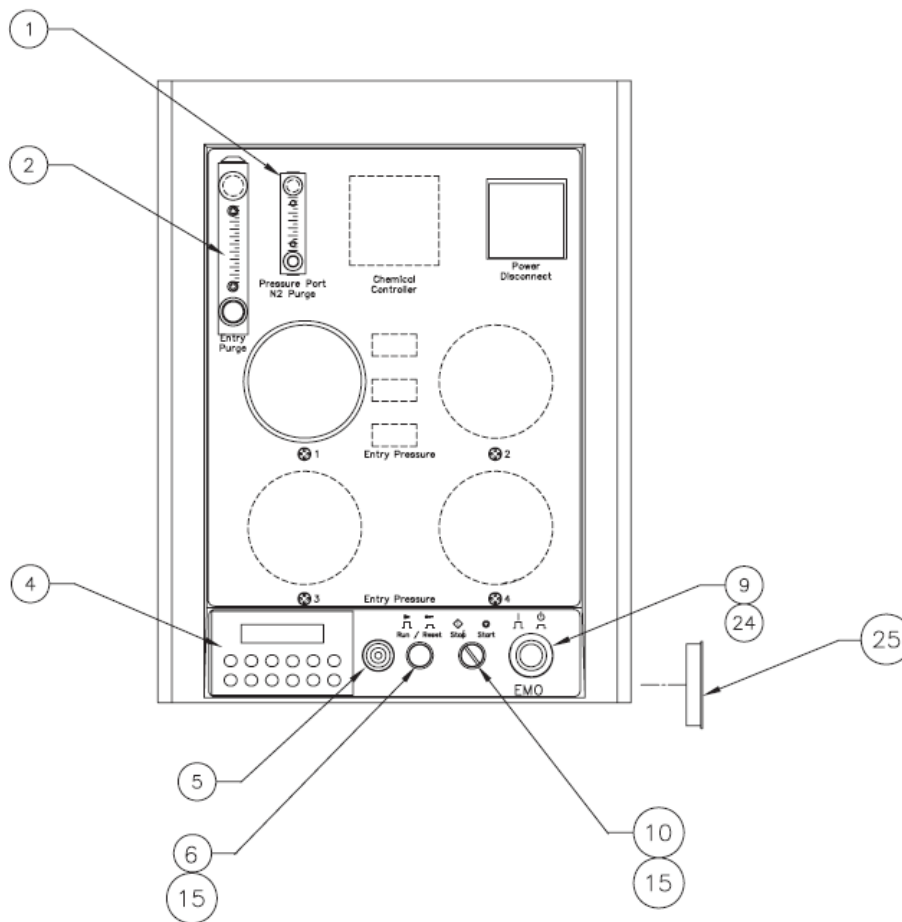


Figure E-6. Instrument Panel Door Assembly (215-17671-02, Rev. B)

Table E-8. Instrument Panel Door Assembly (215-17671-02, Rev. B)

Item	Description	Quantity	Part Number
1	Flowmeter, Air, 0-6.5 LPM, 1/8" NPT	1	6755-00
2	Flowmeter, Air, Valved, Panel Mount, 220 LPM	1	6528-11
4	Display, Operator Panel, E-100 Terminal	1	518-16613-00
5	Horn, Sonalert	1	2367-00
6	Switch, Pushbutton, Black, Non-Illuminating, Momentary	1	6030-00
9	Switch, Pushbutton, Latch, Mushroom, Red	1	0756-02
10	Switch, Two Position, Non-Illuminating	1	4312-01
15	Contact Block	2	0897-02
24	Shroud, Mushroom Pushbutton, Half	1	3299-01
25	Handle, Recessed, 1.4" Thick Panel, Black	1	7074-00

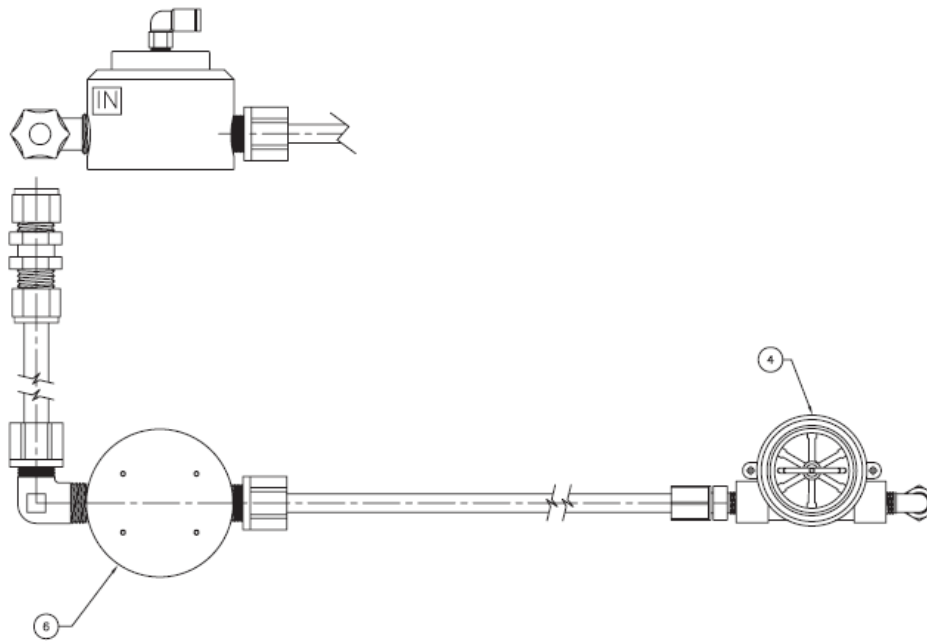


Figure E-7. Make-up Water Assembly (215-12508-02, Rev. H)

Table E-9. Make-up Water Assembly (215-12508-02, Rev. H)

Item	Description	Quantity	Part Number
4	Switch, Flow, Liquid, 1/4" NPT, 5 GPM, 6 Feet, NPN Connector	1	500-00857-00
6	Valve, N.C., Air-Operated, Water Shutoff (Item 6 in Table E-2)	1	215-08-004

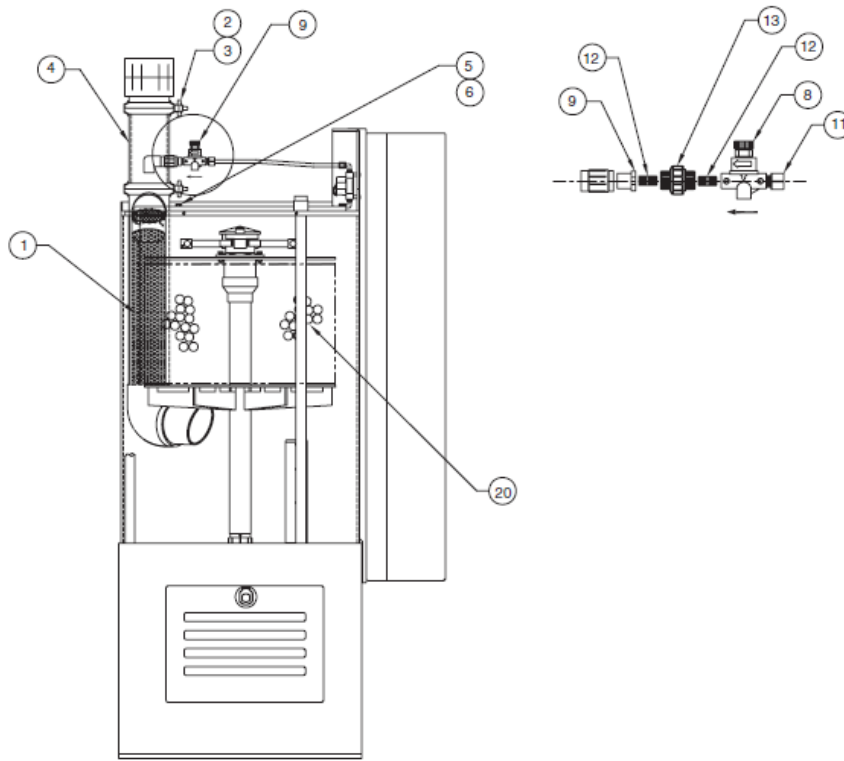


Figure E-8. Polishing Scrubber (6720-00, Rev. G)

Table E-10. Polishing Scrubber (6720-00, Rev. G)

Item	Description	Quantity	Part Number
1	Cartridge Assembly, Polishing Scrubber	1	6733-00
2	Clamp, V-Band, Quick-Release, SST	1	0556-01
3	Knob, V-Clamp	1	0457-00
4	Scrubber Assembly, Polishing	1	6724-00
5	Plug, PP, Schedule 80, Black, 1/2" MNPT	1	0342-04
8	Valve, Needle, PVC, 1/4" FNPT	1	492-13529-00
9	Red Bush, PVC, Schedule 80, 1/2" x 1/4" NPT	1	0023-02
11	Fitting, Male, 3/8" Tube x 1/4" NPT, Kynar	1	429-13385-07
12	Nipple, PVC, Schedule 80, 1/4" MNPT x 5/8" Close	2	0030-01
13	Union, PVC, Schedule 80, EDPM Seal, FPT/FPT, 1/4"	1	0137-01

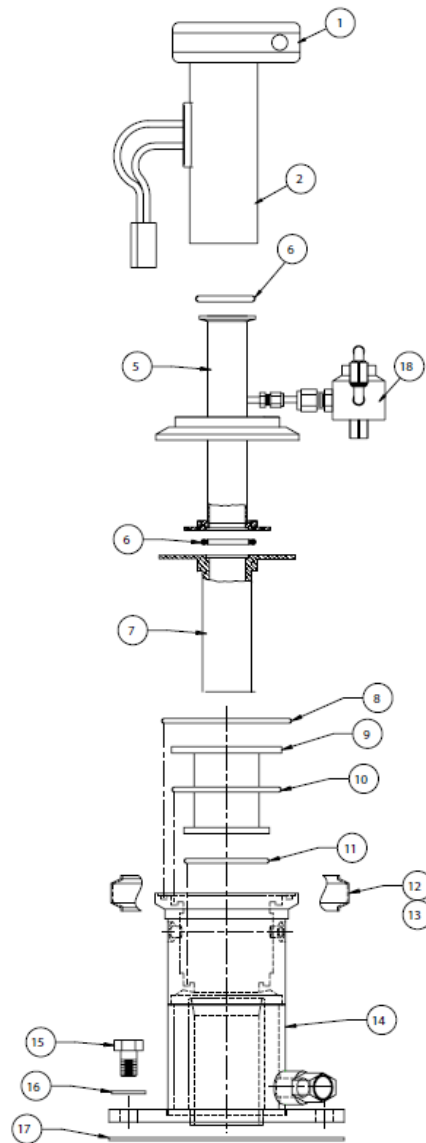


Figure E-9. Entry Body Assembly, Type 20

Table E-11. Entry Body Assembly, Type 20

Item	Description	Quantity	Part Number
1	Insulator, Heater Blanket, KF40 Flange	1	6789-00
2A	Heater, Entry, KF40, 150 Deg. C, 208 Vac (Used on 230/380 Vac Systems)	1	533-13602-01
2B	Heater, Entry, KF40, 150 Deg. C, 120 Vac (Used on 460 Vac Systems)	1	533-13602-03
5	Entry, KF40, 3/8" Port, Hastelloy	1	210-17175-00
6	Seal, Centering Ring, EPDM/Teflon, KF40	2	460-17196-04
7	Assembly, Spool Section, Vector	1	210-13360-00
8	O-Ring, Neoprene, 50 Durometer, .210 C.S. Dia., (-350)	1	0807-42
9	Insert, Porous, .094 Wall, Type 9	1	4541-01
10	O-Ring, Neoprene, 50 Durometer, .210 C.S. Diameter	1	0807-28
11	O-Ring, Neoprene, 50 Durometer, .210 C.S. Diameter	8	0807-36
12	Clamp, V-Band, Quick Release, SST	8	0556-01
13	Knob, V-Clamp	.001	0457-00
14	Entry Body Assembly, 4" Flange, Top/Bottom, Type 9		4543-01
15	Bolt, Hex Head, Nylon, 5/8-11 x 1.00 Long	8	0082-17
16	Washer, Flat, Nylon, 5/8 ID, 1.310 OD, .120 Thick	8	0691-15
17	Gasket, Flange, Full Face, Neoprene, 4.0	1	0068-09
18	Assembly, Water Valve, Waterwash, Multiple Entry	1	215-13113-02